

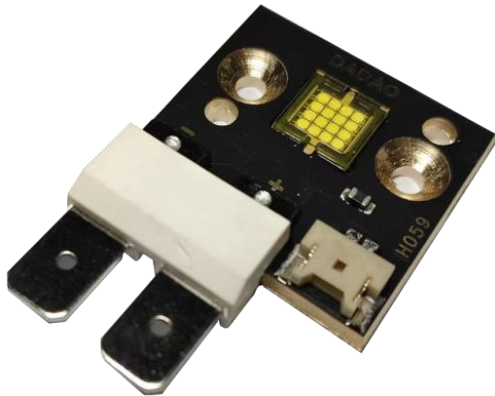
# Vertical-Chips · Glass Package 垂直芯片 · 玻璃封装 Single Color LEDs · HighPower 单色光源 · 高功率

Main Applications:  
主要应用领域:

- ✓ long-distance searching and spot lighting for stage, studio, photography, landmarks, architectural, facade illumination, military and police search lights etc.  
长距离探照与聚光照明, 适用于舞台, 演艺, 摄影, 影视, 地标, 建筑, 景观, 军警探照等
- ✓ directional projection and beam lighting with small angle for projection, light beam, dyeing, pattern, audience, business, hotel, museum, etc.  
小角度方向性投射类照明, 适用于投射, 光束, 染色, 图案, 观众, 商业, 酒店, 博物馆等
- ✓ medical and micro-instrument lighting  
医疗与显微器械照明

# S1269

## Special Stage and Landscape Lighting 特种舞台景观照明

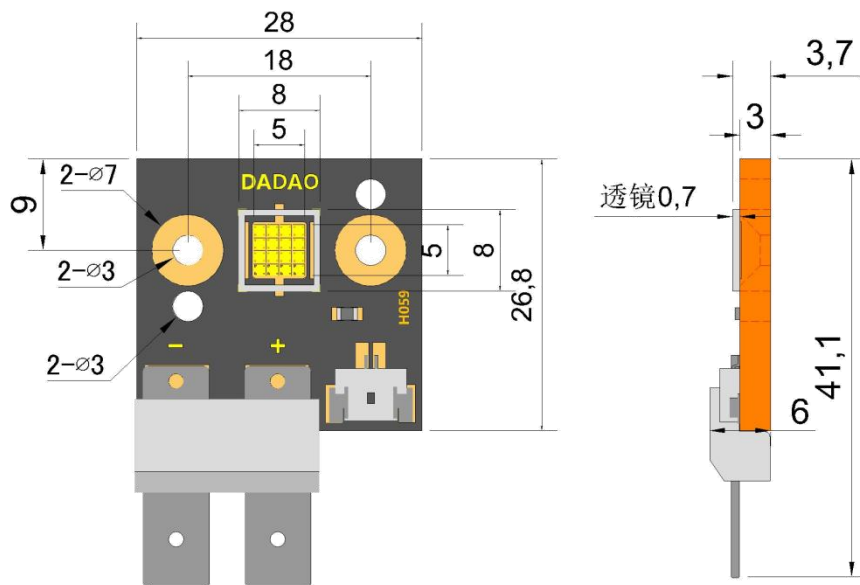


Main Parameters	Typical Values
Voltage (V)	12
Current (mA)	7700
Max. Power (W) <sup>Note</sup>	120
LES (mm)	5.0x5.0
CCT (K) / Ra	9000-10500
Color / Dominant Wavelength (nm)	N/A
Matched Cu Board	H059-2728

Note: The maximum power only for reference and related to the heat dissipation power of the radiator, the thermal resistance between the radiator and the light source and the ambient temperature.

### Main Features

- Middle Power Single Color Integrated Lighting Source;
- Glass Package Using AlN Ceramic Substrate for Low Heat Resistance;
- Vertical Chips Capable of Super-Driving Current for Highly Intensive Lighting;
- Customizing Other Power, LES, Color Combination, CCT and Ra;
- Applicable to Directional Projection Lighting with High Brightness.



【 Data in table, photos & diagrams for reference only】

# S1289

## Special Stage and Landscape Lighting 特种舞台景观照明

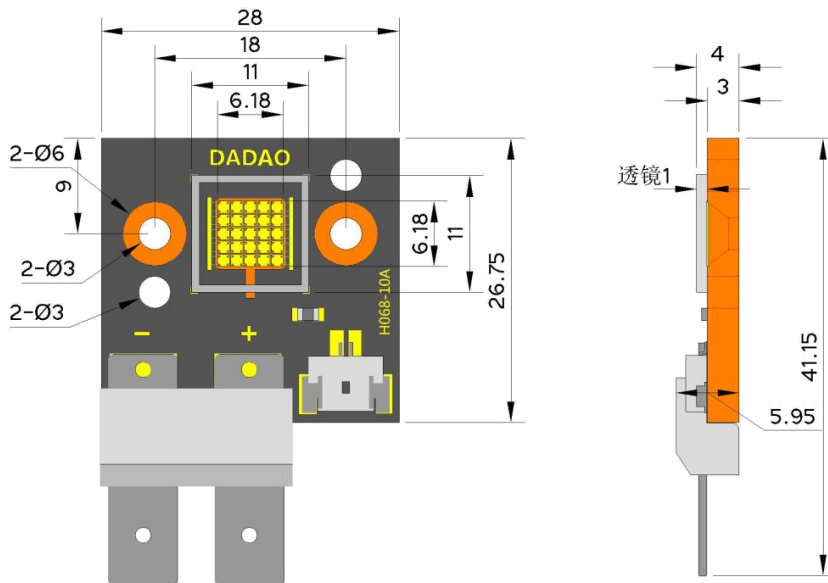


Main Parameters	Typical Values
Voltage (V)	15
Current (mA)	9650
Max. Power (W) <sup>Note</sup>	187
LES (mm)	6.2x6.2
CCT (K) / Ra	9000-10500
Color / Dominant Wavelength (nm)	N/A
Matched Cu Board	H068-2728

Note: The maximum power only for reference and related to the heat dissipation power of the radiator, the thermal resistance between the radiator and the light source and the ambient temperature.

### Main Features

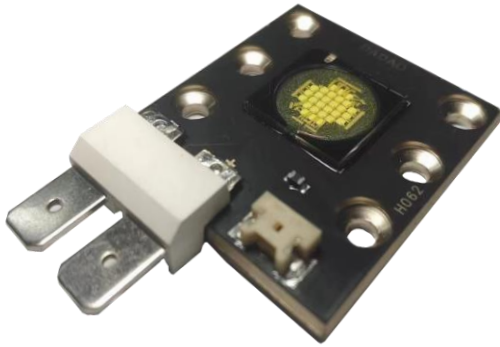
- Middle Power Single Color Integrated Lighting Source;
- Glass Package Using AlN Ceramic Substrate for Low Heat Resistance;
- Vertical Chips Capable of Super-Driving Current for Highly Intensive Lighting;
- Customizing Other Power, LES, Color Combination, CCT and Ra;
- Applicable to Directional Projection Lighting with High Brightness.



【 Data in table, photos & diagrams for reference only】

# S1261

## Special Stage and Landscape Lighting 特种舞台景观照明

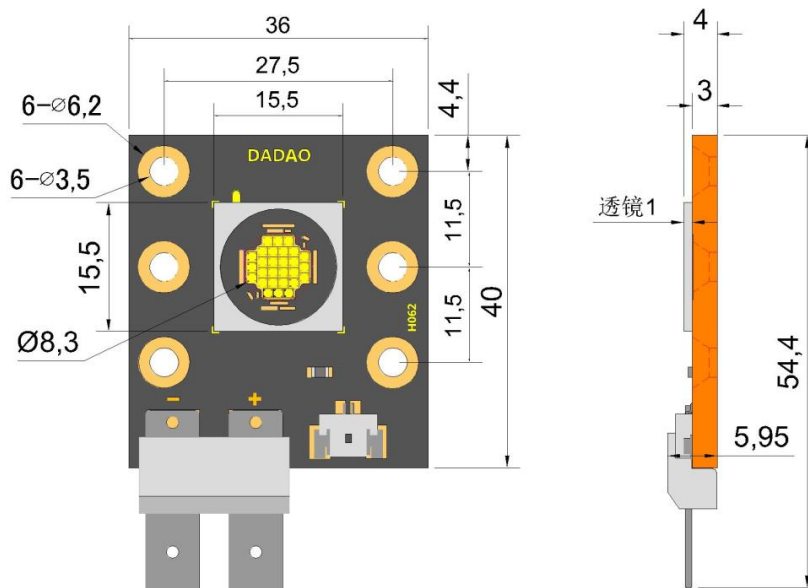


Main Parameters	Typical Values
Voltage (V)	21
Current (mA)	7,700
Max. Power (W) <sup>Note</sup>	210
LES (mm)	11
CCT (K) / Ra	9000-10500
Color / Dominant Wavelength (nm)	N/A
Matched Cu Board	H062-3640

Note: The maximum power only for reference and related to the heat dissipation power of the radiator, the thermal resistance between the radiator and the light source and the ambient temperature.

### Main Features

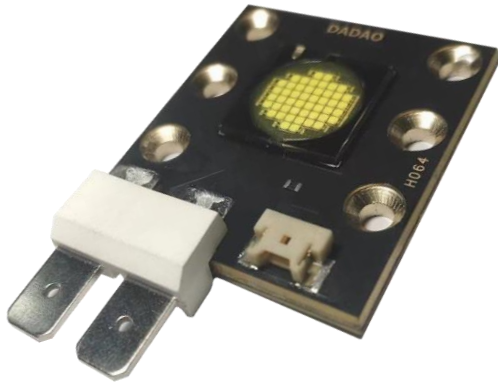
- High Power Single Color Integrated Lighting Source;
- Glass Package Using AlN Ceramic Substrate for Low Heat Resistance;
- Vertical Chips Capable of Super-Driving Current for Highly Intensive Lighting;
- Customizing Other Power, LES, Color Combination, CCT and Ra;
- Applicable to Directional Projection Lighting with High Brightness.



【 Data in table, photos & diagrams for reference only】

# S1270

## Special Stage and Landscape Lighting 特种舞台景观照明

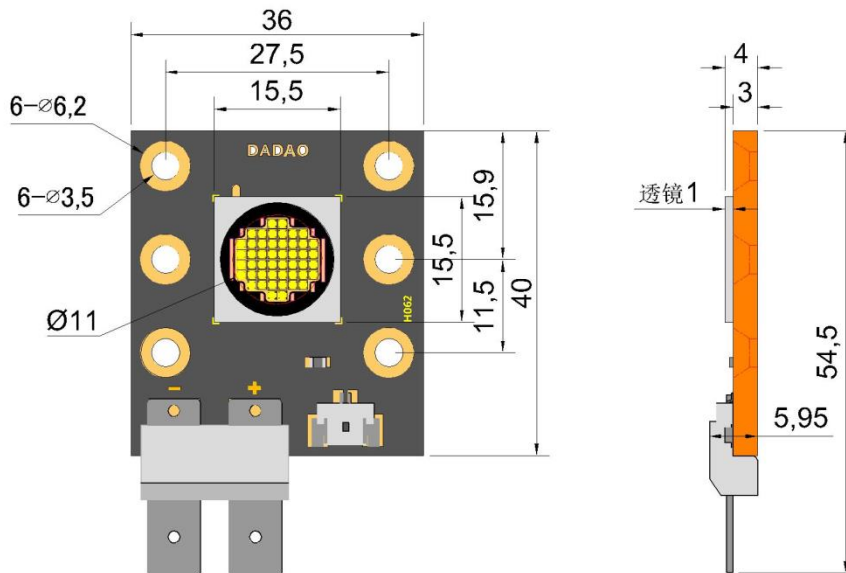


Main Parameters	Typical Values
Voltage (V)	24
Current (mA)	11,575
Max. Power (W) <small>Note</small>	360
LES (mm)	11
CCT (K) / Ra	9000-10500
Color / Dominant Wavelength (nm)	N/A
Matched Cu Board	H064-3640

Note: The maximum power only for reference and related to the heat dissipation power of the radiator, the thermal resistance between the radiator and the light source and the ambient temperature.

### Main Features

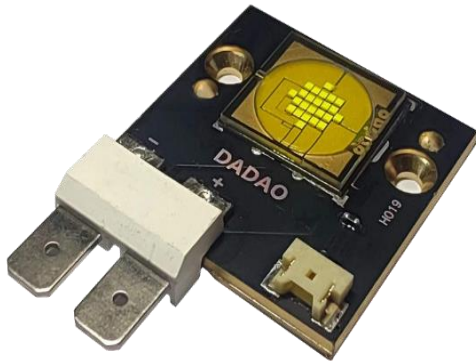
- High Power Single Color Integrated Lighting Source;
- Glass Package Using AlN Ceramic Substrate for Low Heat Resistance;
- Vertical Chips Capable of Super-Driving Current for Highly Intensive Lighting;
- Customizing Other Power, LES, Color Combination, CCT and Ra;
- Applicable to Directional Projection Lighting with High Brightness.



【 Data in table, photos & diagrams for reference only】

# S1121

## Special Stage and Landscape Lighting 特种舞台景观照明

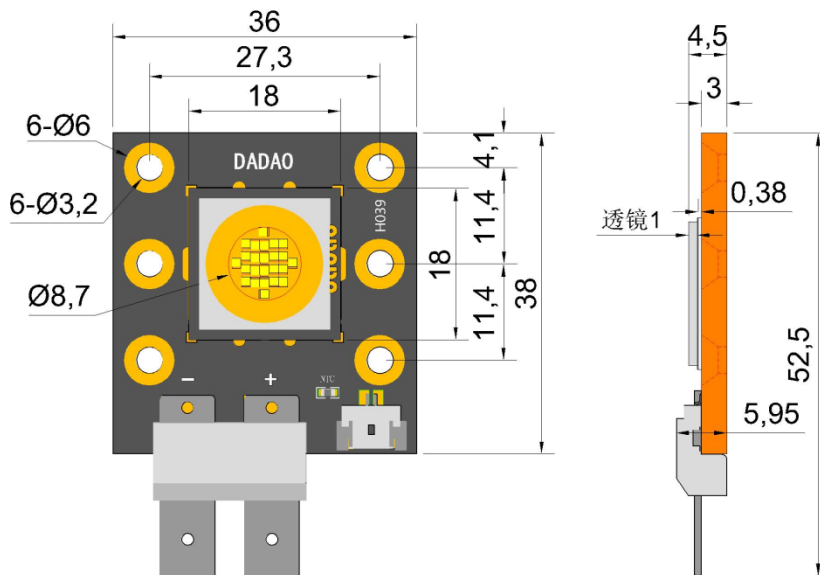


Main Parameters	Typical Values
Voltage (V)	36
Current (mA)	4150
Max. Power (W) <sup>Note</sup>	155
LES (mm)	8.7
CCT (K) / Ra	7690-8350
Color / Dominant Wavelength (nm)	N/A
Matched Cu Board	H019-3636 H039-3638 H044-4256 H050-3636 H025-3803 (圆形) H036-2934 (P6)

Note: The maximum power only for reference and related to the heat dissipation power of the radiator, the thermal resistance between the radiator and the light source and the ambient temperature.

### Main Features

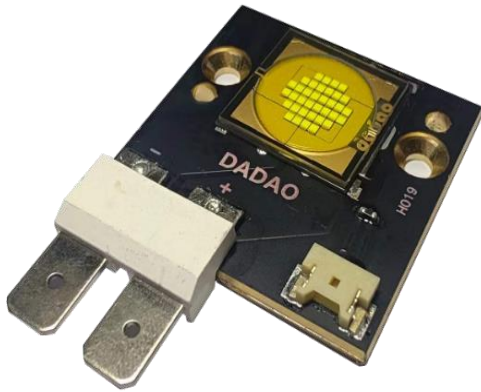
- Middle Power Single Color Integrated Lighting Source;
- Glass Package Using AlN Ceramic Substrate for Low Heat Resistance;
- Vertical Chips Capable of Super-Driving Current for Highly Intensive Lighting;
- Customizing Other Power, LES, Color Combination, CCT and Ra;
- Applicable to Directional Projection Lighting with High Brightness.



【 Data in table, photos & diagrams for reference only】

# S1122

## Special Stage and Landscape Lighting 特种舞台景观照明

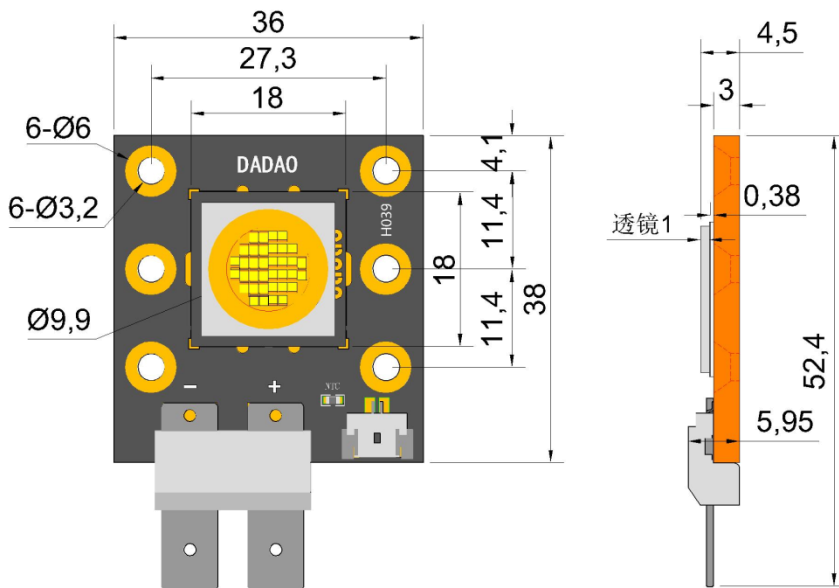


Main Parameters	Typical Values
Voltage (V)	36
Current (mA)	6225
Max. Power (W) <sup>Note</sup>	232
LES (mm)	9.9
CCT (K) / Ra	7690-8350
Color / Dominant Wavelength (nm)	N/A
Matched Cu Board	H019-3636 H039-3638 H044-4256 H050-3636 H025-3803 (圆形) H036-2934 (P6)

Note: The maximum power only for reference and related to the heat dissipation power of the radiator, the thermal resistance between the radiator and the light source and the ambient temperature.

### Main Features

- High Power Single Color Integrated Lighting Source;
- Glass Package Using AlN Ceramic Substrate for Low Heat Resistance;
- Vertical Chips Capable of Super-Driving Current for Highly Intensive Lighting;
- Customizing Other Power, LES, Color Combination, CCT and Ra;
- Applicable to Directional Projection Lighting with High Brightness.



【 Data in table, photos & diagrams for reference only】

# S1043

## Special Stage and Landscape Lighting 特种舞台景观照明

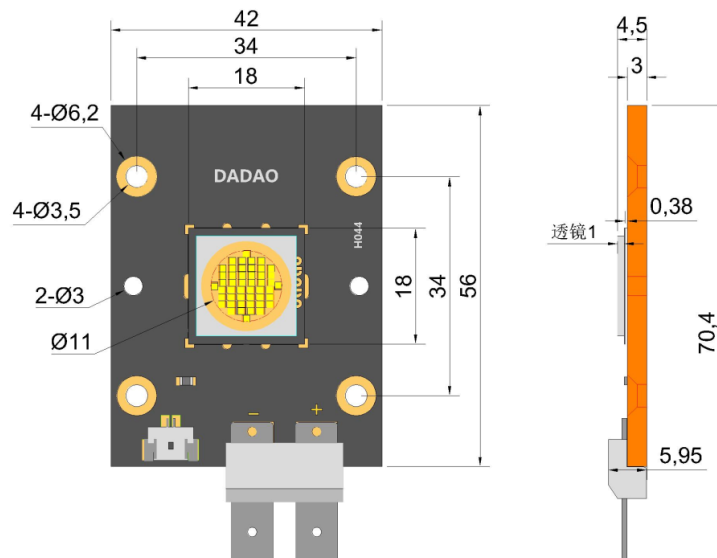


Main Parameters	Typical Values
Voltage (V)	36
Current (mA)	8310
Max. Power (W) <sup>Note</sup>	310
LES (mm)	11
CCT (K) / Ra	7690-8350
Color / Dominant Wavelength (nm)	N/A
Matched Cu Board	H019-3636 H039-3638 H044-4256 H050-3636 H025-3803 (圆形) H036-2934 (P6)

Note: The maximum power only for reference and related to the heat dissipation power of the radiator, the thermal resistance between the radiator and the light source and the ambient temperature.

### Main Features

- High Power Single Color Integrated Lighting Source;
- Glass Package Using AlN Ceramic Substrate for Low Heat Resistance;
- Vertical Chips Capable of Super-Driving Current for Highly Intensive Lighting;
- Customizing Other Power, LES, Color Combination, CCT and Ra;
- Applicable to Directional Projection Lighting with High Brightness.



【 Data in table, photos & diagrams for reference only】



# S1064

## Special Stage and Landscape Lighting 特种舞台景观照明

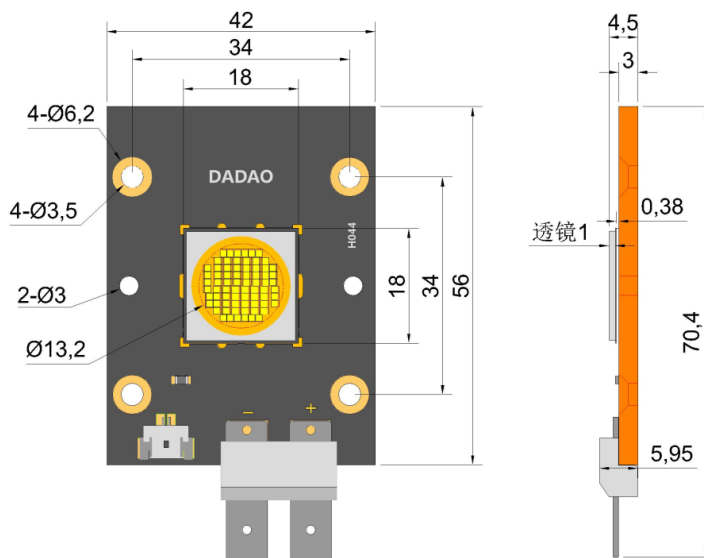


Main Parameters	Typical Values
Voltage (V)	36
Current (mA)	12,450
Max. Power (W) <sup>Note</sup>	465
LES (mm)	13.2
CCT (K) / Ra	7690-8350
Color / Dominant Wavelength (nm)	N/A
Matched Cu Board	H019-3636 H039-3638 H044-4256 H050-3636 H025-3803 (圆形) H036-2934 (P6)

Note: The maximum power only for reference and related to the heat dissipation power of the radiator, the thermal resistance between the radiator and the light source and the ambient temperature.

### Main Features

- High Power Single Color Integrated Lighting Source;
- Glass Package Using AlN Ceramic Substrate for Low Heat Resistance;
- Vertical Chips Capable of Super-Driving Current for Highly Intensive Lighting;
- Customizing Other Power, LES, Color Combination, CCT and Ra;
- Applicable to Directional Projection Lighting with High Brightness.



【 Data in table, photos & diagrams for reference only】